

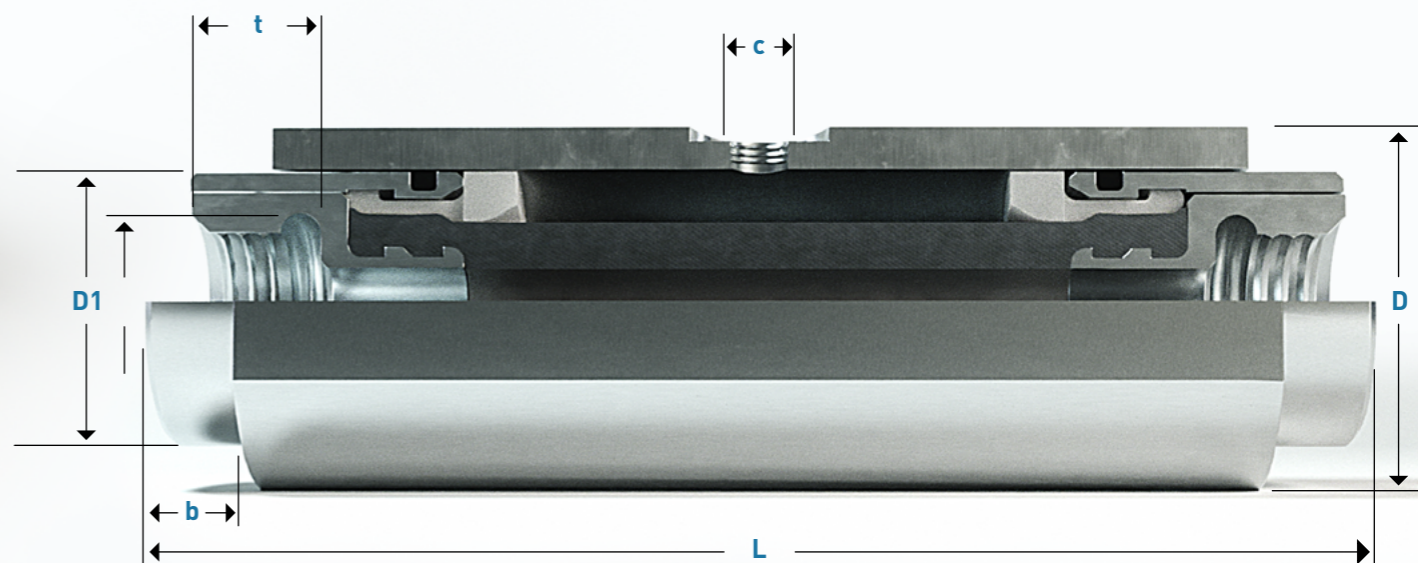
SERIES 60

Nominal widths: **G 1/4"**

Especially suitable for: **medical engineering and microdosing**



Dimensions



DN	D1	G	t	D	D1	L	b	c	Vol. l ¹	kg
06	6	G 1/4"	9,5	26	20	70	5	M5	0,01	0,16

Vol. l¹ - Control volume for closed valve

Article number

Series	DN	Sleeve Quality								Version
		NR	NR-L	NR-LH	NBR	EPDM-L	FPM	CR	CSM	Standard
60	006.	001.	011.	021.	121.	212.	303.	401.	501.	000

Example orders

Valve complete: 60006.001.000 | Sleeve: 6006.001.000 | Spare parts:

Control | Accessories



Material specifications

screw connection
stainless steel 1.4404

O-Ring
nitrile rubber NBR

Sleeve
as selected

Clamping cone
POM plastic (polyoxymethylene), natural white

Housing (not in contact with medium)
stainless steel 1.4404

Special versions on request

Assembly videos, service instructions, spare parts, conformities etc. see: ho-matic.ch/downloads

